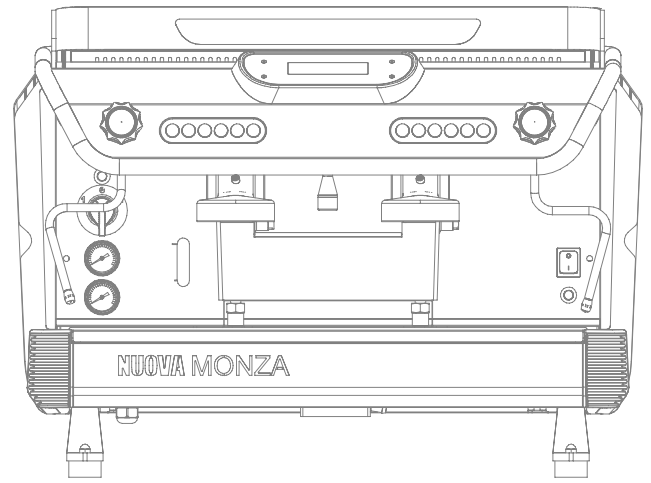


Pre-installation and guideline

Model: *NUOVA MONZA*

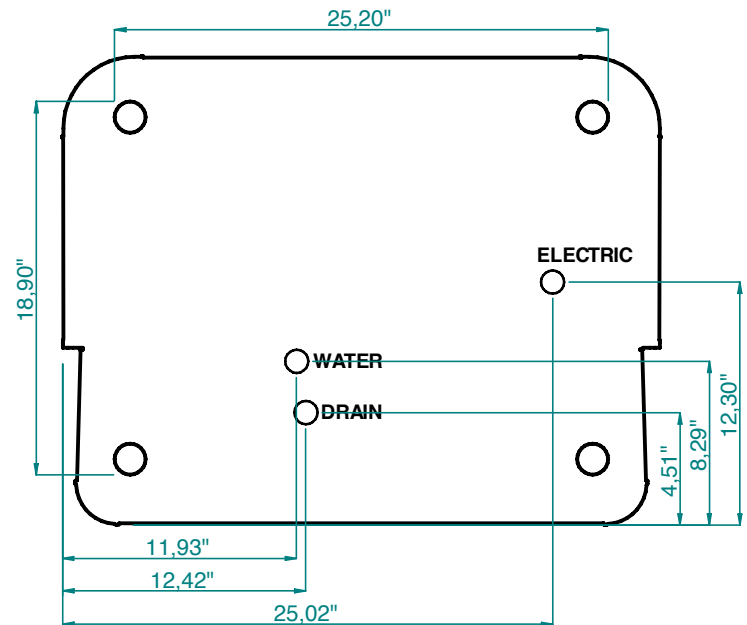


Required parameters for the water used for coffee

- Drinking
- Fresh
- Tasteless - odourless - colourless
- Chlorine - iron - sulphur free
- Total hardness: 51-175 ppm
- Alkalinity: 40-75 ppm
- pH: 6-8

Dimensions	2 groups
Place the machine in a properly ventilated place	
Height	22,83"
Width	30,55"
Depth	23,74"
Weight	185 lbs
Boiler Capacity	3,7 US GAL (14 lt.)
Power	
Voltage	220
Wattage	4000
Amperage	30 single phase
NEMA Plug and Outlet	6-30P; 6-30R with the plug attached

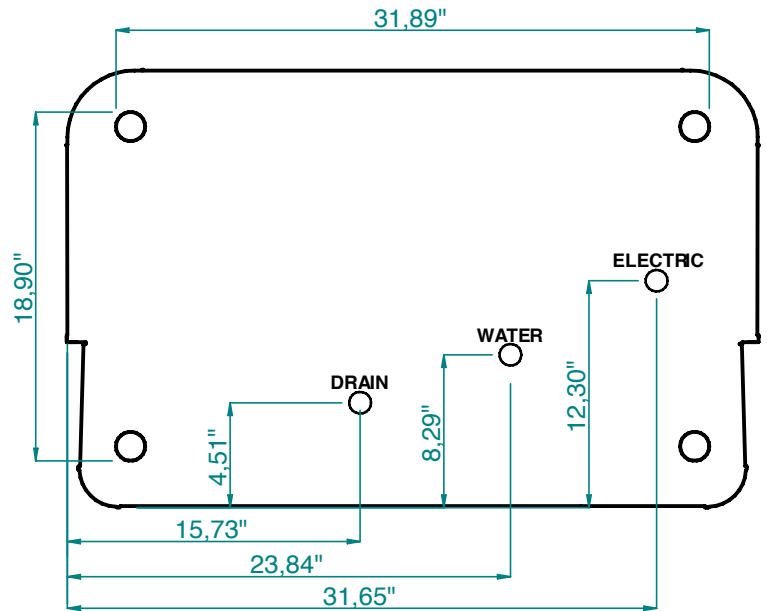
Water	
Water Connection	3/8" Male
Drain	Ø9 mm internal



For optimal use of the appliance, check that the water supply pressure exceeds 1 bar (100 kPa) and be less than 6 bar (600 kPa). If the incoming water pressure exceeds 6 bar, we recommend to use a pressure reducer.



Dimensions	3 groups
Place the machine in a properly ventilated place	
Height	22,83"
Width	37,24"
Depth	23,74"
Weight	225 lbs
Boiler Capacity	5,5 US GAL (21 lt.)
Power	
Voltage	220
Wattage	5400
Amperage	50 single phase
NEMA Plug and Outlet	6-50P; 6-50R with the plug attached
Water	
Water Connection	3/8" Male
Drain	Ø9 mm internal



For optimal use of the appliance, check that the water supply pressure exceeds 1 bar (100 kPa) and be less than 6 bar (600 kPa). If the incoming water pressure exceeds 6 bar, we recommend to use a pressure reducer.