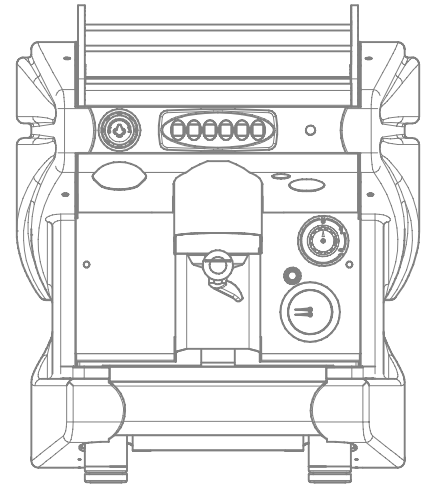


Pre-installation and guideline

Model: LIRA

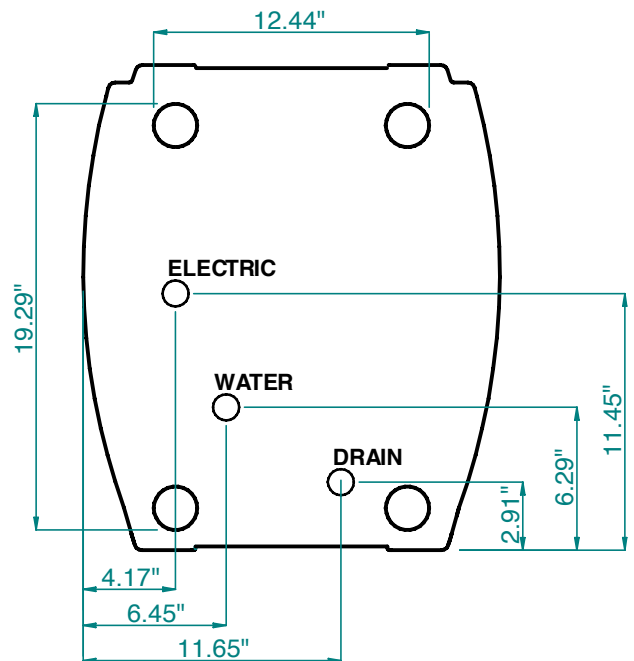


Required parameters for the water used for coffee

- Drinking
- Fresh
- Tasteless - odourless - colourless
- Chlorine - iron - sulphur free
- Total hardness: 51-175 ppm
- Alkalinity: 40-75 ppm
- pH: 6-8

Dimensions	1 group
Place the machine in a properly ventilated place	
Height	23.62"
Width	18.82"
Depth	22.60"
Weight	90 lbs
Boiler Capacity	1.05 US GAL (4 lt.)
Power	
Voltage	120
Wattage	1800
Amperage	20 single phase
NEMA Plug and Outlet	5-20P; 5-20R with the plug attached

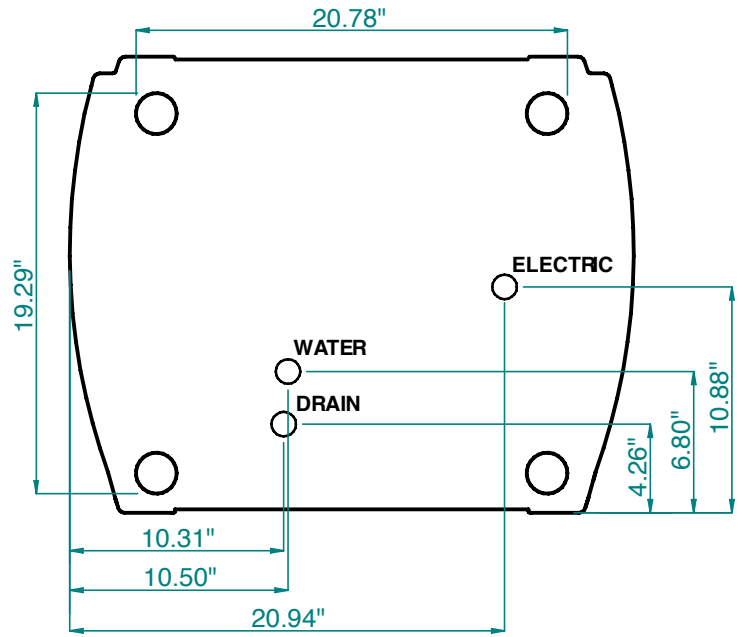
Water	
Water Connection	3/8" Male
Drain	Ø9 mm internal



For optimal use of the appliance, check that the water supply pressure exceeds 1 bar (100 kPa) and be less than 6 bar (600 kPa). If the incoming water pressure exceeds 6 bar, we recommend to use a pressure reducer.



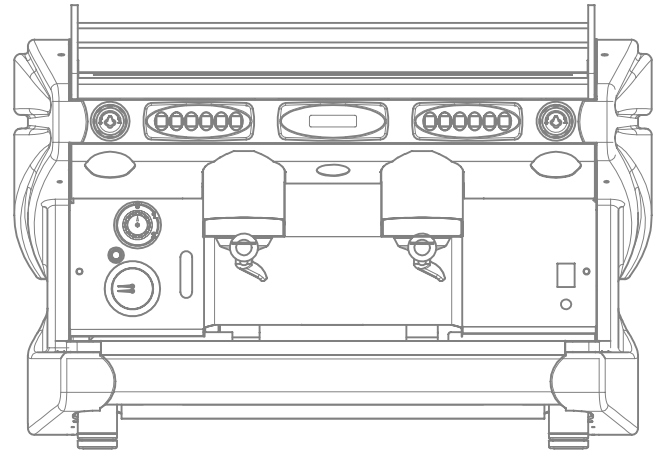
Dimensions	2 groups SB
Place the machine in a properly ventilated place	
Height	23.62"
Width	27.16"
Depth	22.60"
Weight	137 lbs
Boiler Capacity	2.1 US GAL (8 lt.)
Power	
Voltage	220
Wattage	2400
Amperage	20 single phase
NEMA Plug and Outlet	6-20P; 6-20R with the plug attached
Water	
Water Connection	3/8" Male
Drain	Ø9 mm internal



For optimal use of the appliance, check that the water supply pressure exceeds 1 bar (100 kPa) and be less than 6 bar (600 kPa). If the incoming water pressure exceeds 6 bar, we recommend to use a pressure reducer.

Pre-installation and guideline

Model: LIRA

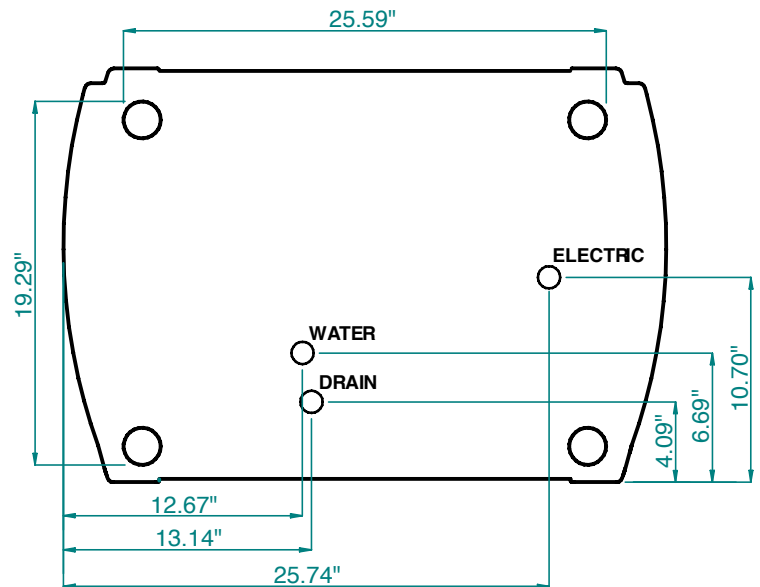


Required parameters for the water used for coffee

- Drinking
- Fresh
- Tasteless - odourless - colourless
- Chlorine - iron - sulphur free
- Total hardness: 51-175 ppm
- Alkalinity: 40-75 ppm
- pH: 6-8

Dimensions	2 groups
Place the machine in a properly ventilated place	
Height	23.62"
Width	31.97"
Depth	22.60"
Weight	165 lbs
Boiler Capacity	3.7 US GAL (14 lt.)
Power	
Voltage	220
Wattage	4000
Amperage	30 single phase
NEMA Plug and Outlet	6-30P; 6-30R with the plug attached

Water	
Water Connection	3/8" Male
Drain	Ø9 mm internal

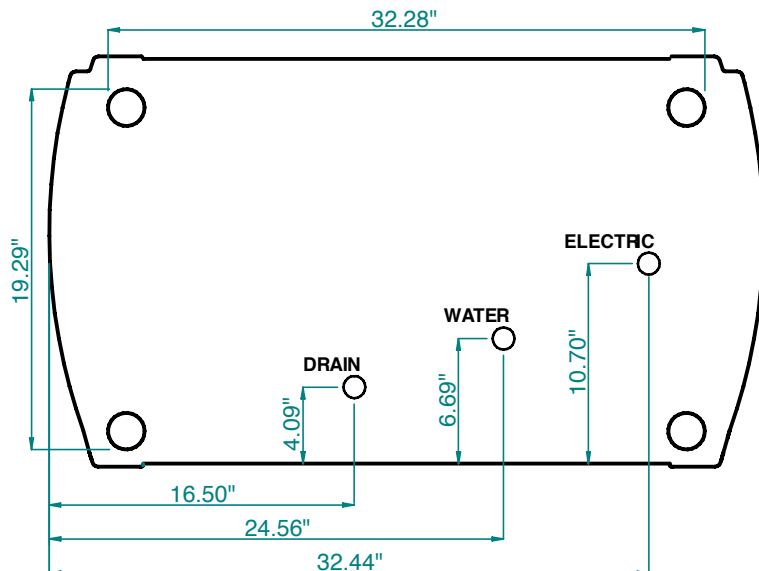


For optimal use of the appliance, check that the water supply pressure exceeds 1 bar (100 kPa) and be less than 6 bar (600 kPa). If the incoming water pressure exceeds 6 bar, we recommend to use a pressure reducer.



Dimensions	3 groups
Place the machine in a properly ventilated place	
Height	23.62"
Width	38.62"
Depth	22.60"
Weight	198 lbs
Boiler Capacity	5.5 US GAL (21 lt.)
Power	
Voltage	220
Wattage	5400
Amperage	50 single phase
NEMA Plug and Outlet	6-50P; 6-50R with the plug attached

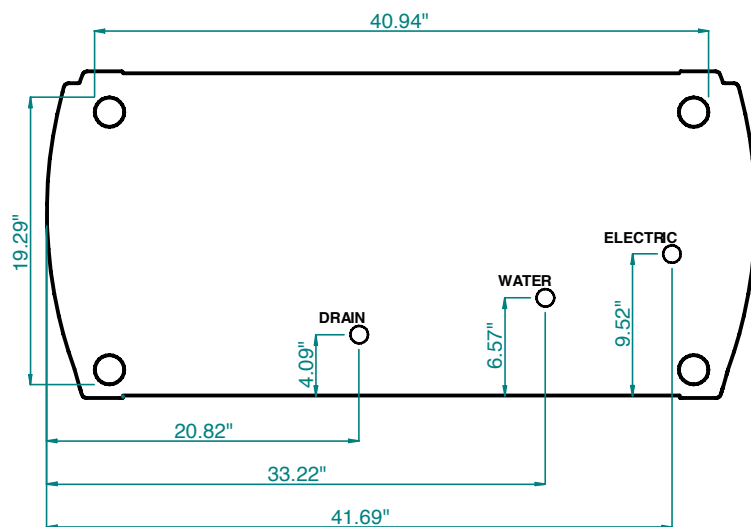
Water	
Water Connection	3/8" Male
Drain	Ø9 mm internal



For optimal use of the appliance, check that the water supply pressure exceeds 1 bar (100 kPa) and be less than 6 bar (600 kPa). If the incoming water pressure exceeds 6 bar, we recommend to use a pressure reducer.

Dimensions	4 groups
Place the machine in a properly ventilated place	
Height	23.62"
Width	47.28"
Depth	22.60"
Weight	231 lbs
Boiler Capacity	7.1 US GAL (27 lt.)
Power	
Voltage	220
Wattage	5300
Amperage	50 single phase
NEMA Plug and Outlet	6-50P; 6-50R with the plug attached

Water	
Water Connection	3/8" Male
Drain	Ø9 mm internal



For optimal use of the appliance, check that the water supply pressure exceeds 1 bar (100 kPa) and be less than 6 bar (600 kPa). If the incoming water pressure exceeds 6 bar, we recommend to use a pressure reducer.