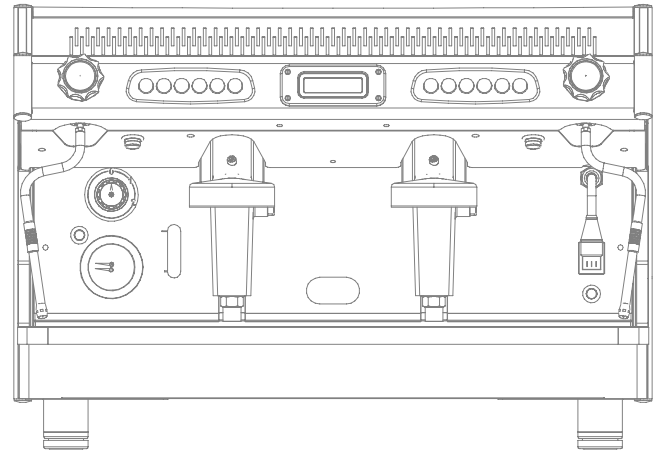


Pre-installation and guideline

Model: *Classica Eva Plus*

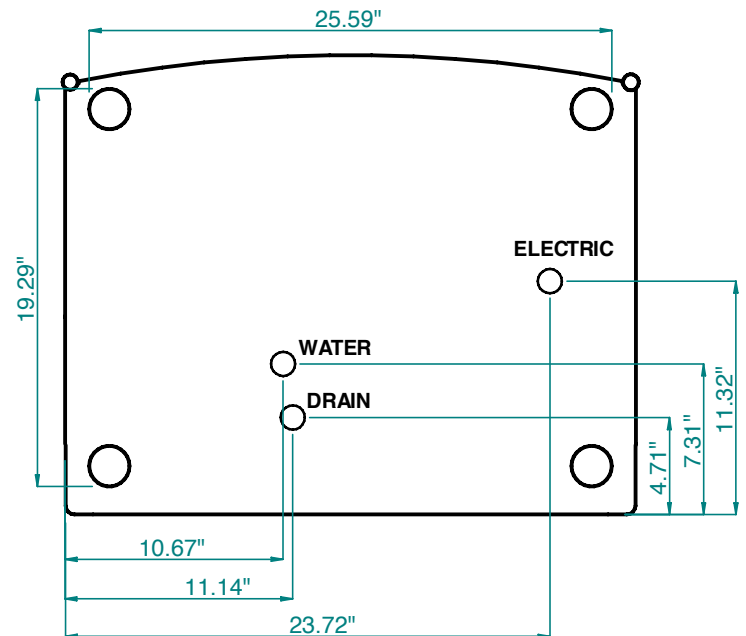


Required parameters for the water used for coffee

- Drinking
- Fresh
- Tasteless - odourless - colourless
- Chlorine - iron - sulphur free
- Total hardness: 51-175 ppm
- Alkalinity: 40-75 ppm
- pH: 6-8

| | |
|--|--|
| Dimensions | 2 groups |
| Place the machine in a properly ventilated place | |
| Height | 20.98" |
| Width | 28.23" |
| Depth | 22.89" |
| Weight | 165 lbs |
| Boiler Capacity | 3.7 US GAL (14 lt.) |
| Power | |
| Voltage | 220 |
| Wattage | 4000 |
| Amperage | 30 single phase |
| NEMA Plug and Outlet | 6-30P; 6-30R with the plug attached |

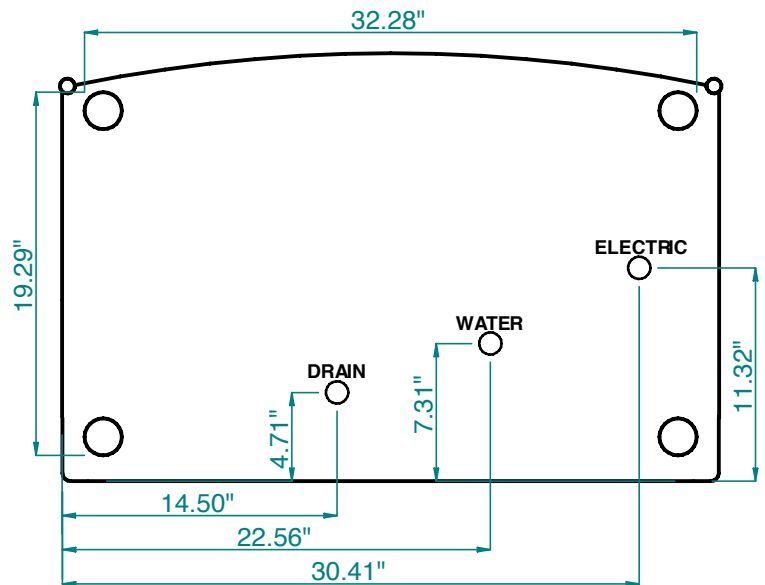
| | |
|------------------|----------------|
| Water | |
| Water Connection | 3/8" Male |
| Drain | Ø9 mm internal |



For optimal use of the appliance, check that the water supply pressure exceeds 1 bar (100 kPa) and be less than 6 bar (600 kPa). If the incoming water pressure exceeds 6 bar, we recommend to use a pressure reducer.



| | |
|--|--|
| Dimensions | 3 groups |
| Place the machine in a properly ventilated place | |
| Height | 20.98" |
| Width | 34.88" |
| Depth | 22.89" |
| Weight | 198 lbs |
| Boiler Capacity | 5.5 US GAL (21 lt.) |
| Power | |
| Voltage | 220 |
| Wattage | 5400 |
| Amperage | 50 single phase |
| NEMA Plug and Outlet | 6-50P; 6-50R with the plug attached |
| Water | |
| Water Connection | 3/8" Male |
| Drain | Ø9 mm internal |



For optimal use of the appliance, check that the water supply pressure exceeds 1 bar (100 kPa) and be less than 6 bar (600 kPa). If the incoming water pressure exceeds 6 bar, we recommend to use a pressure reducer.